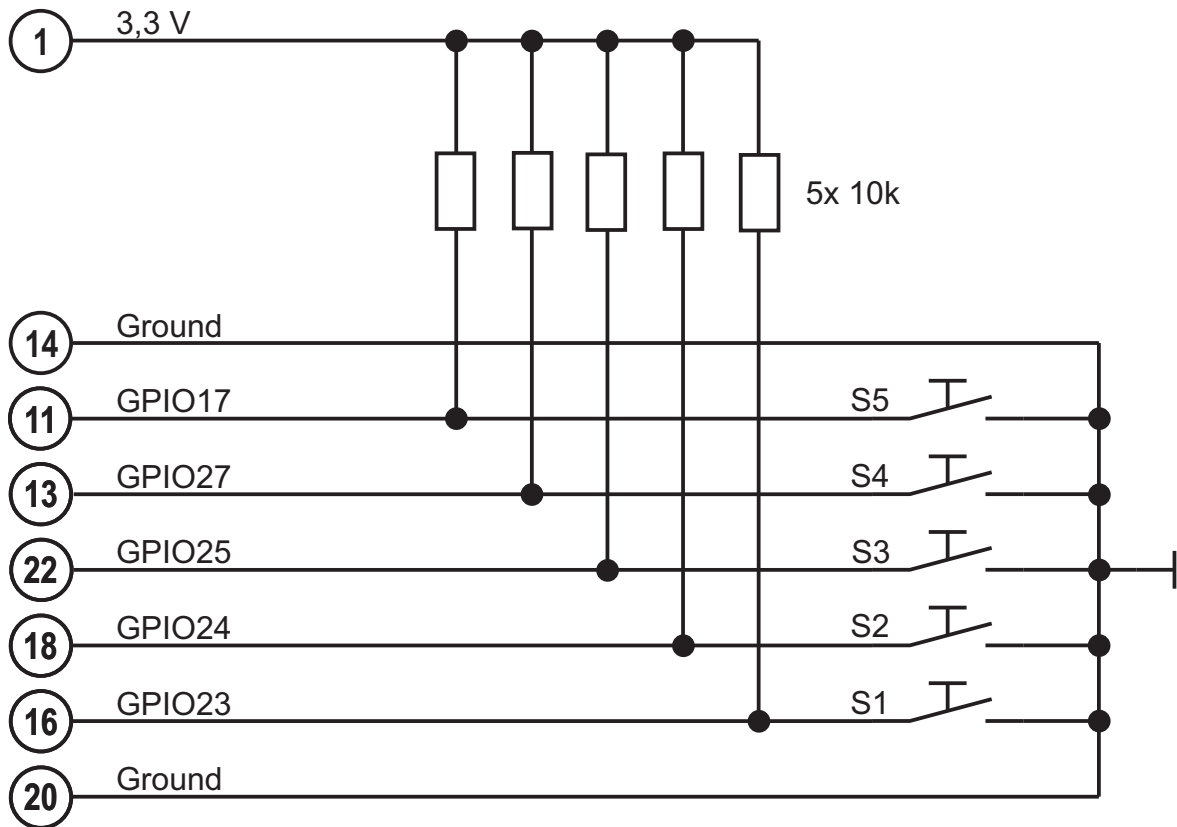


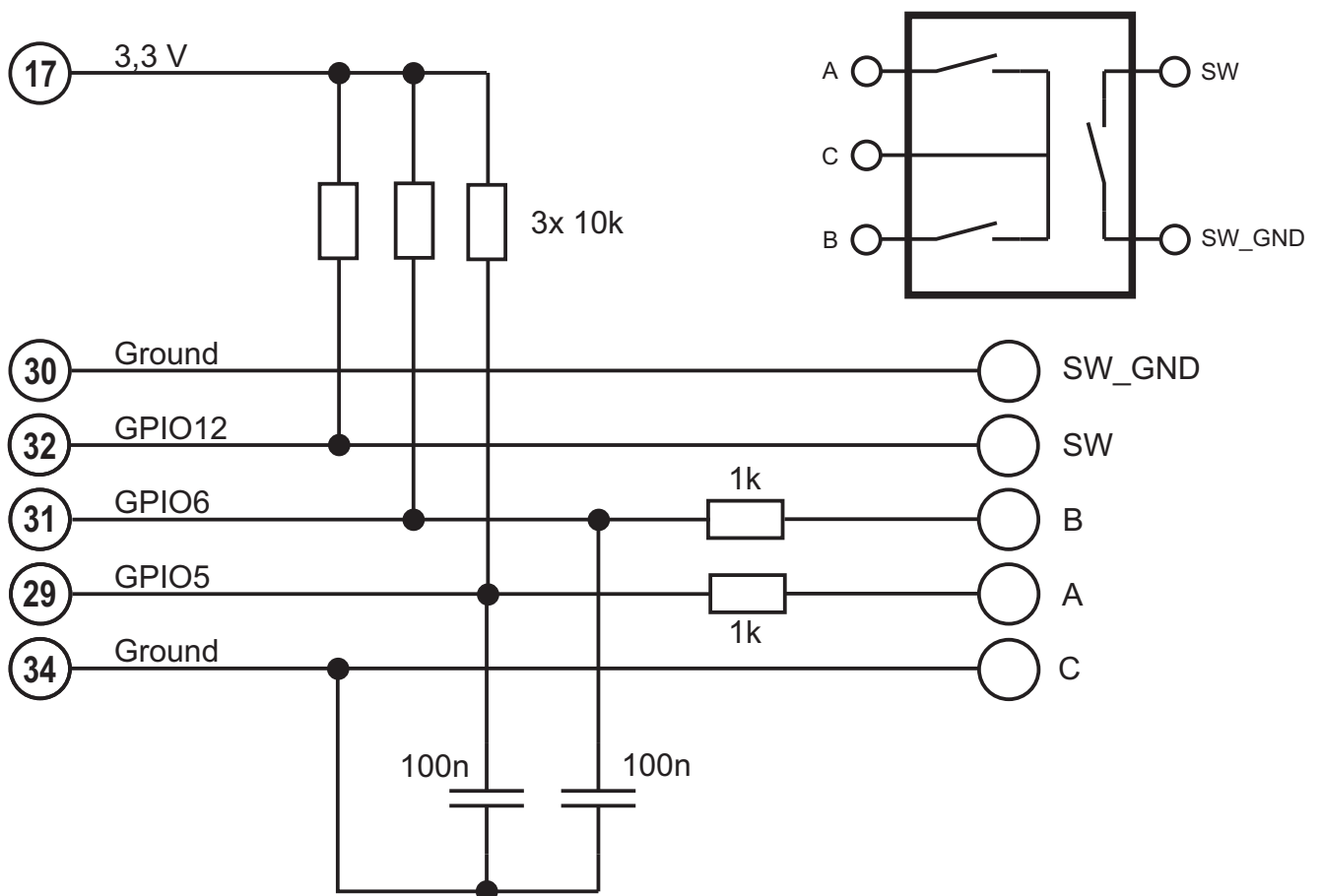
Pinbelegung Raspberry Pi 3

3V3	1	2	5V
SDA1_I2C / GPIO2	3	4	5V
SCL1_I2C / GPIO3	5	6	Ground
GPIO4	7	8	GPIO14 / UART0_TXD
Ground	9	10	GPIO15 / UART0_RXD
GPIO17	11	12	GPIO18 / PCM_CLK
GPIO27	13	14	Ground
GPIO22	15	16	GPIO23
3V3	17	18	GPIO24
SPI0_MOSI / GPIO10	19	20	Ground
SPI0_MISO / GPIO9	21	22	GPIO25
SPI0_SCLK / GPIO11	23	24	GPIO8 / SPI0_CE0_N
Ground	25	26	GPIO7 / SPI0_CE1_N
ID_SD	27	28	ID_SC
GPIO5	29	30	Ground
GPIO6	31	32	GPIO12
GPIO13	33	34	Ground
GPIO19	35	36	GPIO16
GPIO26	37	38	GPIO20
Ground	39	40	GPIO21

Taster



Drehgeber



7-Segment-Anzeige

